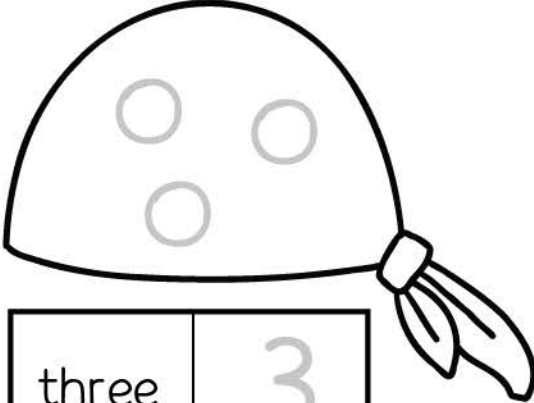


Name _____

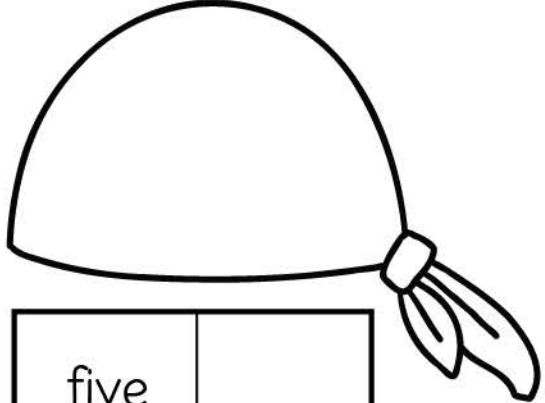


Bandana Dots

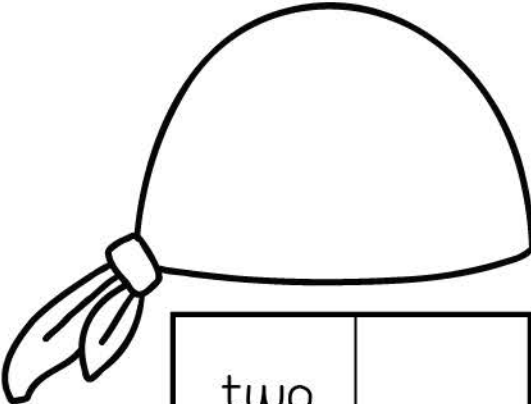
Read the numbers. Draw red dots to match the number. Write the number.



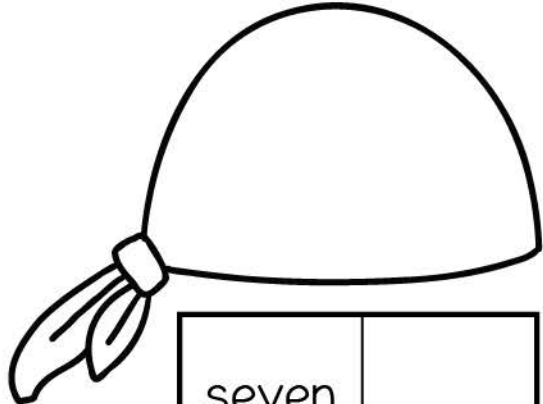
three	3
-------	---



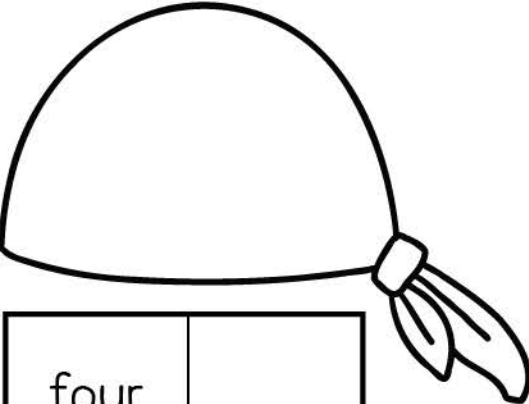
five	
------	--



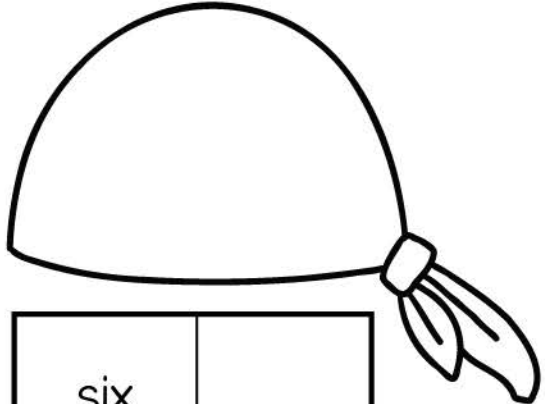
two	
-----	--



seven	
-------	--



four	
------	--



six	
-----	--